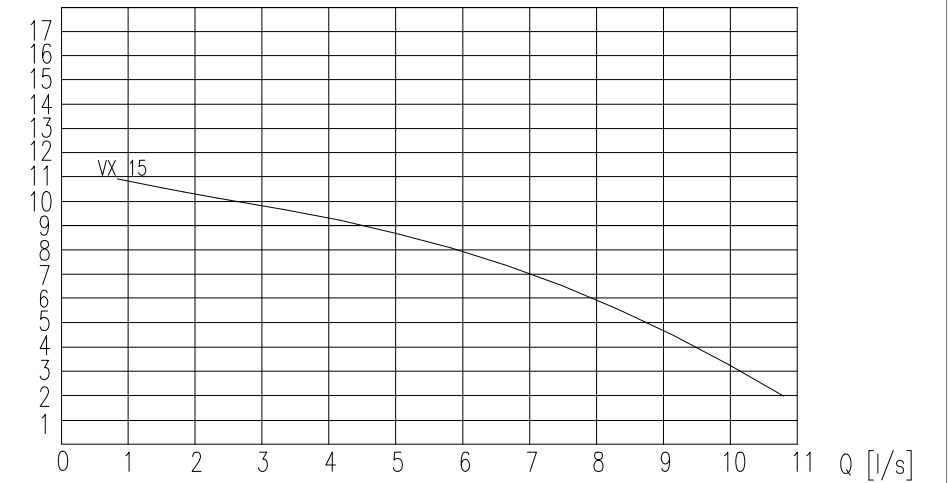
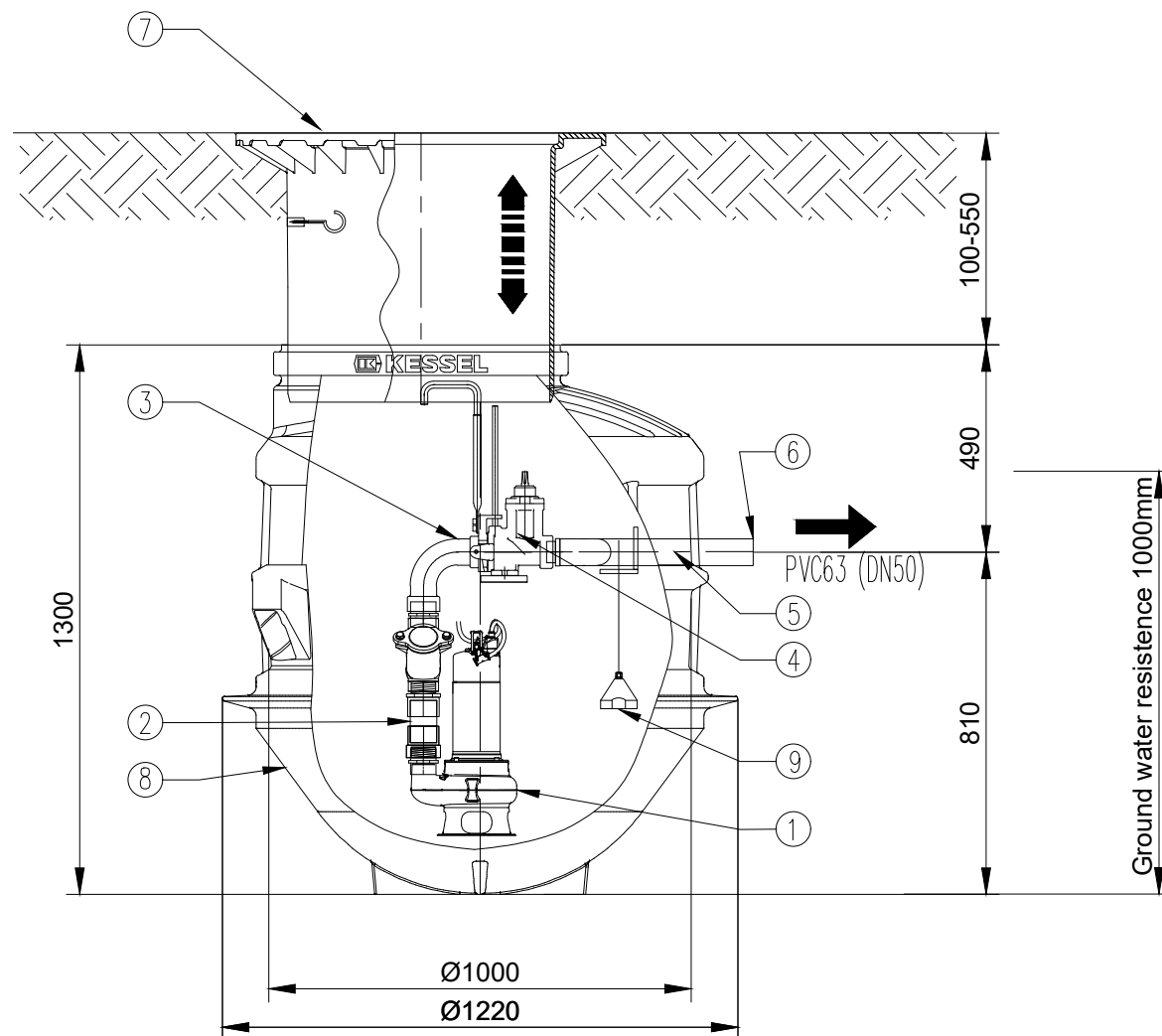
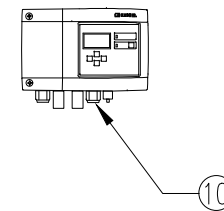


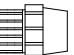


H mH2O



Pump VX 15	
Voltage	230V AC
Nominal current	7,0 A
Power	P1/P2 = 1,55/1,10 kW
Frequenzy	2900 rpm
Operating mode	S1
Medium temp.	max 40° C



-  gasket DN90 (Ø100) for inlet attached to the product inlet is not prefabricated
-  2 x gasket DN100 (Ø110) for cable & ventilation attached to the product, not prefabricated
-  double PE Ø63 screw connector attached to the product

10.	Control unit Aqualift Comfort Duo 230V	1	...
9.	Pressure sensor with 10m pressure cable	1	...
8.	LW1000 tank	1	PE-LLD
7.	Upper section with level adjustment + plastic cover up to 600 kg	1	...
6.	Barefoot end PE HD Ø63	1	PE HD SDR11
5.	Pressure outlet DN50 PE HD Ø63	1	PE HD SDR11
4.	Cut off valve DN50	2	stainless steel 1.4301
3.	Hook coupling integrated with back water valve DN50	2	cast iron
2.	pressure pipe DN50	2	PVC-U 63
1.	Pump VX15, 230V with 10m cabel	2	cast iron
Lp.	Nazwa wyrobu	Ilość	Materiał

KESSEL

Dla spawów:
*t = najmniejsza grubość ścianki
Δ a = 0,7 x t*

DIN ISO 2768 mk
DIN ISO 13920-B
DIN 1910-3

Kessel Sp. z o.o.
ul. Innowacyjna 2
Biskupice Podgórne
55-040 Koberzyce

Obiekt:	—	Projekt-Nr.:	878711
Project:	—	Project-Nr.:	—
Firma:	—	Z-Nr.:	PO-0005.2VX15
Company:	—	Drawing:	—
Zawartość:	Pumping station Aquapump XL Basic Duo	Datum:	—
Contents:	—	Name:	—
	—	bearb.:	26.03.2026
	—	gepr.:	P.GAJEWSKI

Wszelkie prawa zastrzeżone przez KESSEL Sp. z o.o. Kopiowanie i udostępnianie osobom trzecim bez zgody KESSEL zabronione.
Naruszenie praw autorskich może spowodować roszczenia o odszkodowanie.
Z zastrzeżeniem zmian technicznych.
Copyright by KESSEL Sp. z o.o. Any transmission, improper use or forwarding of this document is forbidden unless permission has been specifically granted by KESSEL.
Noncompliance or violation may result in a claim for damages.
Subject to technical modifications.